

BS300M.4 KNUCKLE BOOM CRANE

Fitted to NATO Type Pontoon Base Frame



General

Make	BS300M.4 30t / m
Type	Knuckle Boom Crane
Deck Coverage	Full 370 Degree Rotation

Main Dimensions

Length	4.2m
Breadth	2.0m
Depth Frame	300mm

Capacity

30t / m	See Load Chart
---------	----------------

Standard Equipment

- Hatz Diesel Driven Air Cooled Hydraulic Power Pack
- 6.0m Hydraulic Deck Hoses to Power Pack
- Tested Lifting Shackles and Hook
- 3.5t Winch and Pulley Sheave Block
- Remote Control
- Load Over Hoist Safety Cut Out – Protects Sheave Block
- Winch Over Load Safety Cut Out – Protects Crane
- Crane Over Load Safety Cut Out – Protects Winch

Optional Equipment

- Qualified Crane Operator
- Specialist Rigging Equipment

Typical Uses

- Piling
- Heavy Lifting and Installation Duties
- Installation of Timber Fenders and Quayside Furniture
- Used to Lift Pontoon Spud Legs
- Deck Area Service Crane

ELITE PONTOON HIRE LTD.

OLD HALL FARM, ELSING, DEREHAM, NORFOLK, NR20 3DU

TEL: 01362 708393

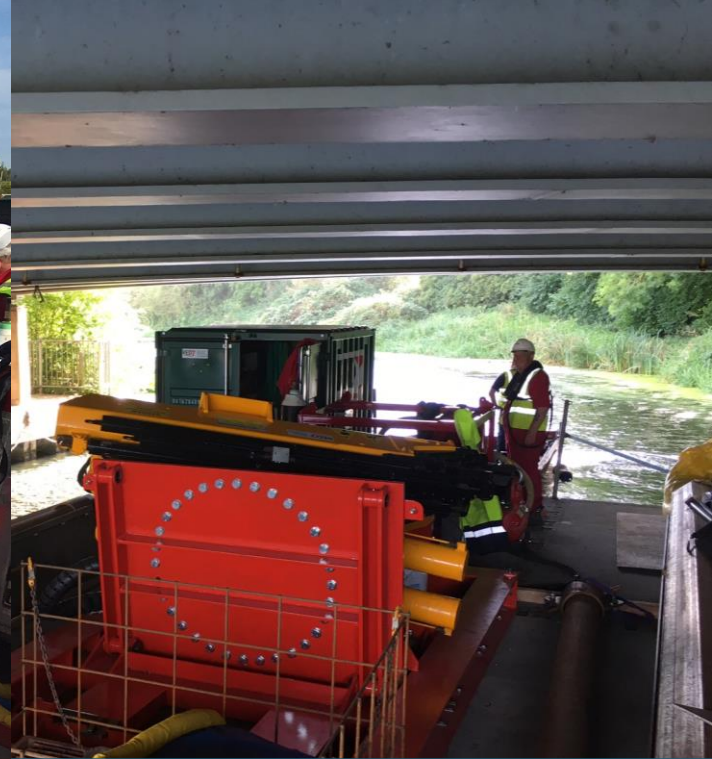
enquiries@elitepontoonhire.com

www.elitepontoonhire.com

ELITE
PONTOON
HIRE

BS400M.4 KNUCKLE BOOM CRANE

Fitted to NATO Type Pontoon Base Frame



Additional Features

Low level bridges is a common problem when accessing remote waterside locations.

ELITE has overcome this problem by designing the crane unit to hydraulically fold into the horizontal position, thus allowing barges to traverse under low level bridges and obstacles with low headroom. The crane can be folded back into the working position within minutes.

ELITE PONTOON HIRE LTD.

OLD HALL FARM, ELSING, DEREHAM, NORFOLK, NR20 3DU

TEL: 01362 708393

enquiries@elitepontoonhire.com

www.elitepontoonhire.com

ELITE
PONTOON
HIRE

BS300M.4 KNUCKLE BOOM CRANE

Fitted to NATO Type Pontoon Base Frame

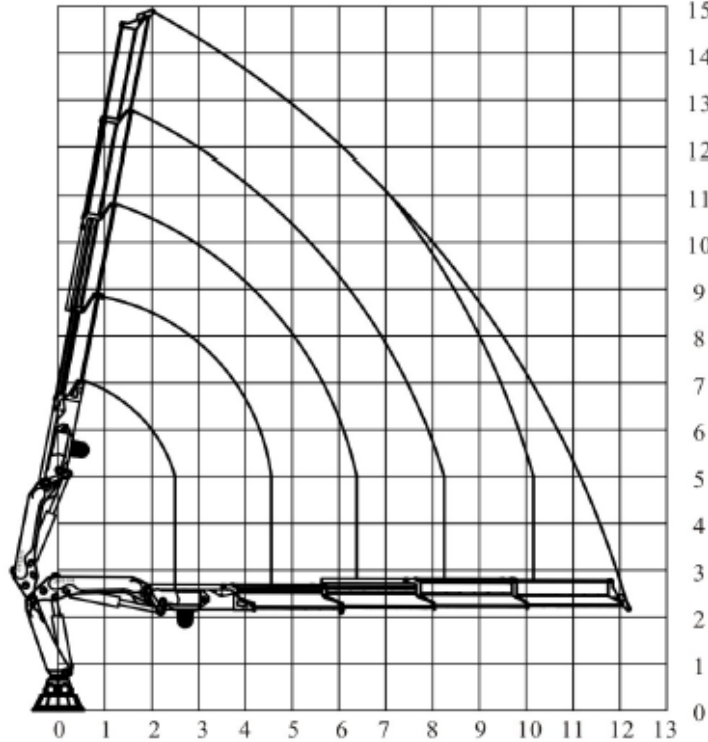


Additional Features

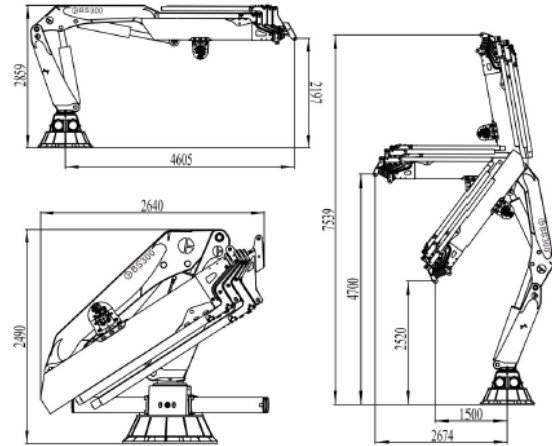
Crane can be mobilised onto pontoon units quickly via multiple bolted connections into deck.

All cranes are provided with a stability book and load calculations for all planned lifts and once the deck crane is installed it can then be used to self load other project equipment and set up working deck.

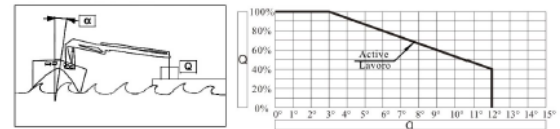
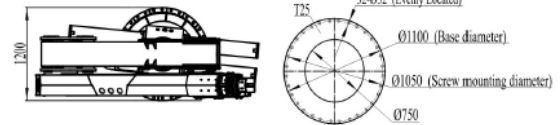
Load Chart



300M.2	m	2.5	4.5	6.38	8.1		
	Kg	11588	6450	4467	3484		
300M.3	m	2.5	4.5	6.28	8.1	10.16	
	Kg	11398	6270	4375	3314	2623	
300M.4	m	2.5	4.5	6.38	8.25	10.16	12.08
	Kg	11218	6100	4149	3097	2473	2152



Mounting Plate



Technical Data

	Lifting capacity (KN.m)	Power (KW)	Rotation	Working pressure(MPa)	Pump capacity(cc/t)	Oil tank capacity(L)	Crane weight(kg)
300M.2							3770±50
300M.3	290	30	385°	30	40-60	160	3920±50
300M.4							4120±50

ELITE PONTOON HIRE LTD.

OLD HALL FARM, ELSING, DEREHAM, NORFOLK, NR20 3DU

TEL: 01362 708393

enquiries@elitepontoonhire.com