

JEKKO SPX650 SPIDER CRANE

Rubber Tracked Crawler Crane
Access Through Doorways
Pontoon Mounted
Services Crane for Shafts



General

Make	JEKKO SPX650
Type	Spider Crane
Deck Coverage	Full 360 Degree Continuous Rotation
Self Weight	6525 kg

Main Dimensions Transit on Rubber Tracks

Length	4.475m
Breadth	0.98m - Extendable
Height	2.02m

Main Dimensions Fully Rigged – Between Outriggers

Length	4.51m
Breadth	4.51m
Height	2.02m

Capacity

5t / m	See Load Chart
Max Height	17.3m
Main Boom	4 Hydraulic Extensions

Standard Equipment

Diesel Driven Air Cooled Engine
50 Hz or 60 Hz Electric Power
Remote Control
800 kg Single Line Winch and Pulley Sheave Block
Single Line upto 6 Falls
Self Levelling System

Optional Equipment

Qualified Crane Operator
Specialist Rigging Equipment

ELITE PONTOON HIRE LTD.

OLD HALL FARM, ELSING, DEREHAM, NORFOLK, NR20 3DU

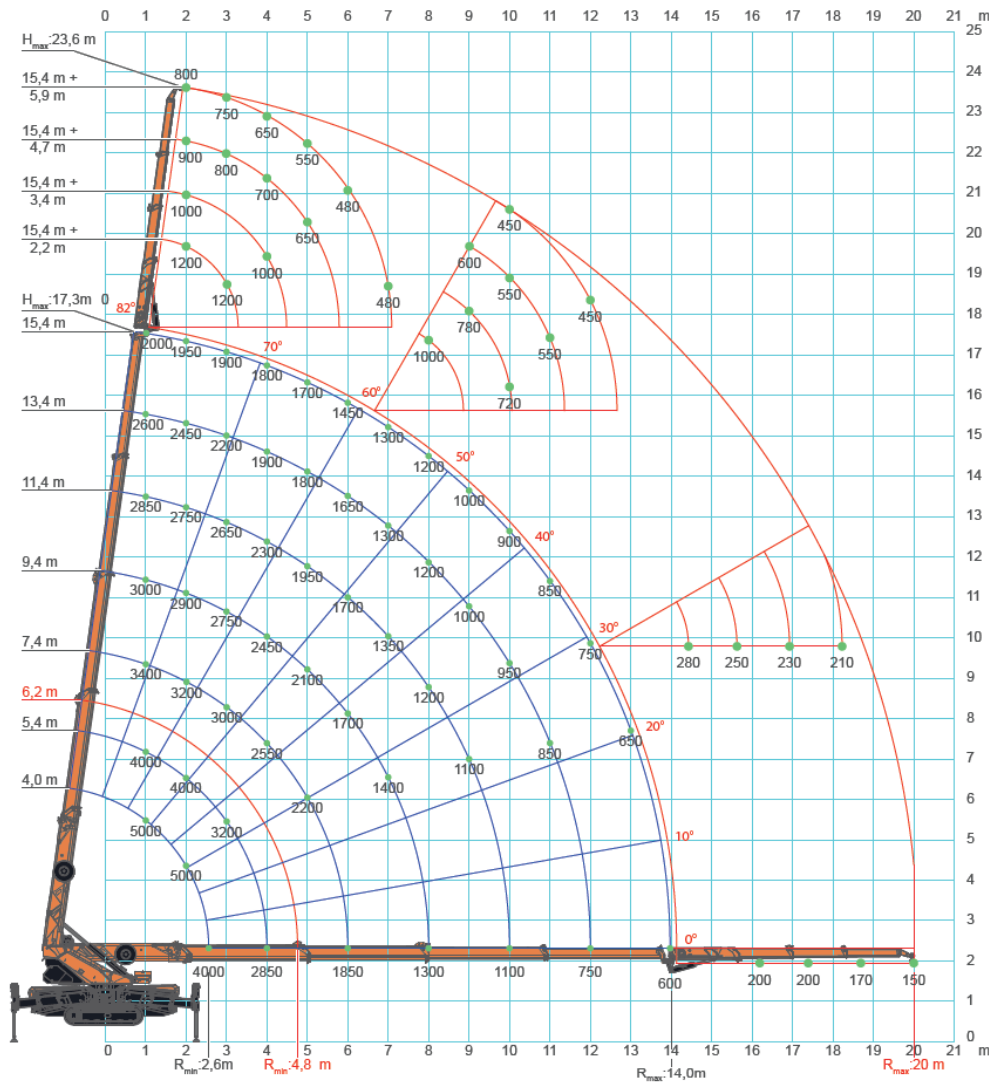
TEL: 01362 708393

enquiries@elitepontoonhire.com

www.elitepontoonhire.com

ELITE
PONTOON
HIRE

Load Chart



FOOTPRINT (mm)

